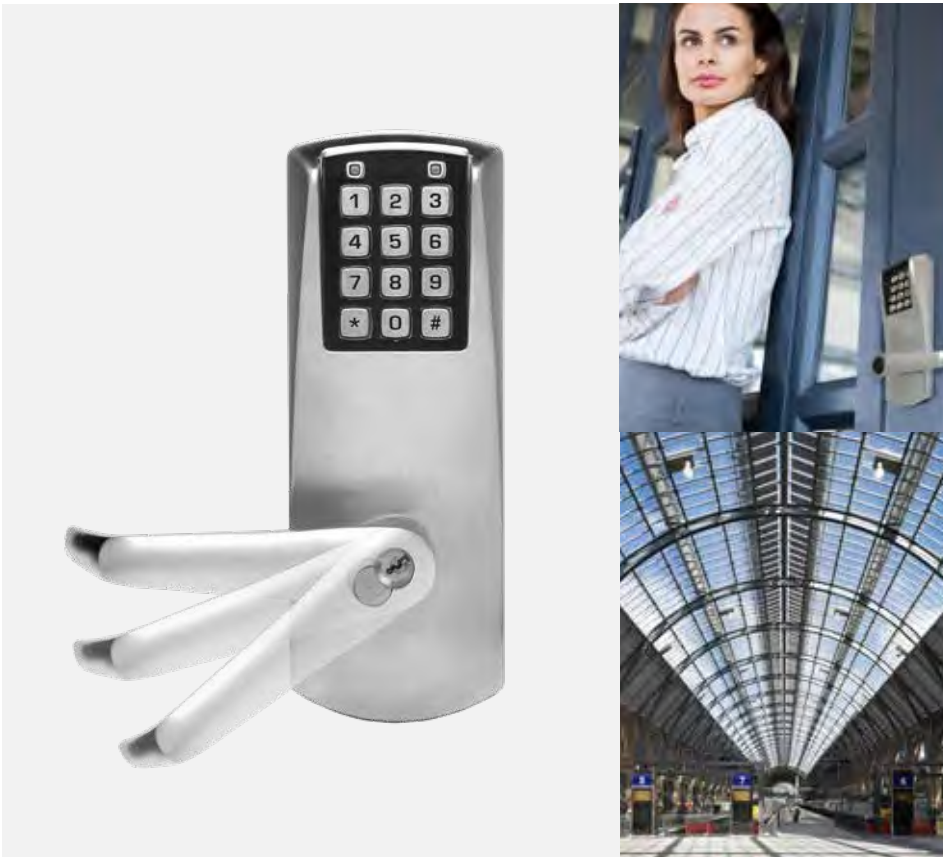


PowerPlex® 2000

Self-powered standalone pushbutton Lock



Features and benefits:

- Self Powering and battery free with PowerStar™ technology
- Requires no wiring to or through the door
- Multiple Users—100 Codes
- Non-handed; field reversible
- 1000 event audit trail
- Simple keypad programming
- Multiple operating modes; PIN, Passage and Lockout
- Cylindrical latch or MS2 mortise locking options
- Optional Key-in-Lever cylinder in Schlage "C" Keyway; Small format—Best and equivalent (6 or 7-pin length)

Self powered pushbutton lock

The PowerPlex 2000 electro-mechanical pushbutton lock eliminates the problems and costs associated with issuing, controlling, and collecting keys. The locks traditional telephony style keypad and simple programming options provide convenient, cost efficient and durable access control.

PowerPlex 2000 locks are self-powered and don't require batteries or other power sources to operate. The lock generates its

own power with every turn of the lever, making it efficient and versatile. The PowerStar Technology has been manufactured and trusted in use for over 20 years on other dormakaba high security products.

The PowerPlex Series utilises new capacitor technology to store power longer and more efficiently, the built-in super capacitors will hold a full charge for up to 10 weeks with no activity at the lock.

Locking Device Options

- Cylindrical: Cylindrical latch with 3-hour UL/ULC fire rating
- Rim Exit Device: Compatible with most leading brands of Exit Devices (Exit Device and mounting hardware not included)
- American Standard Mortise: With 1¼" (32 mm) face plate; with and without deadbolt, auto deadbolt also available

Specifications

User Parameters	Code length—adjustable to accept 4 to 8 digits Anti-tamper lockout—adjustable from 3 to 9 invalid attempts with an adjustable period of 0 to 90 seconds Re-lock time—adjustable from 2 to 20 seconds
Lock Power	Self Powering—Kaba's PowerStar™ technology supplies power for all electronic lock functions, including programming users at the keypad without ever having to change batteries. Once the first digit of a valid code is entered to "wake up" the lock, the remainder of the code can be entered and access is granted. A full charge of the built-in super capacitors will last up to 10 weeks with no activity at the lock.
Mechanical Features	
Construction	Heavy-duty commercial Grade 1 lockset, solid cast exterior housing, solid cast levers, cylindrical drive wear tested for extensive use in indoor and outdoor applications
Numeric Keypad	Vandal resistant, solid metal pushbuttons
Backset	Cylindrical: 2 ¾" (70 mm) backset, 2 ⅜" (60 mm) backset Mortise: 2 ¾" (70 mm) backset Exit Trim Model: Varies by exit device
Latches	Cylindrical Models: ½" (13 mm) throw latch, ¾" (19 mm) throw latch (optional) Mortise Models: ¾" (19 mm) latch, 1" (25 mm) deadbolt (optional)
Strikes	Cylindrical locks packaged standard with both ANSI A115.3 "T" Strike and A115.2 ASA Strike
Exit Device	Not supplied (see list below for compatibility)
Exit Device Latch	Supplied with Exit Device
Exit Device Hub Rotation	Up to 60°
Minimum Stile Required	5" (127 mm)
Weight	Cylindrical and Mortise Models: 8 lbs. (3.63 kg) Exit Trim Models: 10 lbs. (4.54 kg)
Finishes	Satin Chrome 626 (26D) housings and levers. Optional Satin Brass 606 (04) or Dark Bronze 744 (10B) housings and levers

Exit Device Compatibility

Arrow Rim # 3800	Sargent Rim # 8800
Corbin Rim # 5200	Von Duprin Concealed Vertical Rod #s 9847/9947
Detex Rim # F1001	Von Duprin Mortise #s 9875/9975
Detex Surface Vertical Rod #s 20/F20	Von Duprin Rim #s 89/99
Dorma Rim # F9300	Von Duprin Surface Vertical Rod #s 9827/9927
Precision Rim #s 21/FL21	Yale Concealed Vertical Rod # 7160
Precision Surface Vertical Rod #s 22/FL22	Yale Rim # 7100

ATTENTION: Compatibility is subject to change if modifications are made by Exit Device manufacturers without Kaba's knowledge.

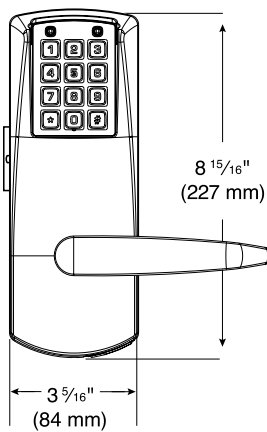
Key Override Options

Key-in-Lever Cylinder	Kaba 1539 6-pin cylinder—Schlage "C" Keyway
Interchangeable Core	Small format—Best and equivalent (6 or 7-pin length); cylinder not included

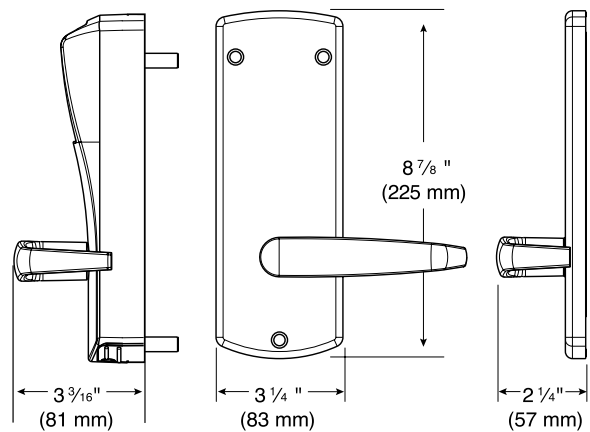
Installation

Ease of Installation	No wiring to or through the door—no risk of pinched wires
Door Preparation	Cylindrical and Exit Trim—ASA 161 (easily installs on door preparation with three additional through bore holes; wood or metal doors) Mortise—ASA 86 door preparation with three additional through bore holes
Door Thickness	Cylindrical Model: 1 " (35 mm) to 2½" (64 mm); pre-assembled to accommodate doors 1 " (41 mm) to 2" (50 mm) Exit Trim and Mortise Models: 1¾" (44 mm) to 2¼" (57 mm); pre-assembled to accommodate doors 1¾" (44 mm) to 2 " (54 mm)
Items Supplied Include	Cylindrical and Mortise—Lock assembly, installation manual, template, quick reference guide, operations manual, and required hardware. Exit Trim—Lock assembly, installation manual, template, quick reference guide, operations manual, and required hardware. Exit Device and mounting hardware not included.
Additional Items Supplied with Key-in-Lever Cylinder Model Only	Includes Universal Kaba 1539 6-pin cylinder, two nickel silver keys, and Schlage "C" Keyway.
Accessibility Standard	Americans with Disabilities Act (ADA)
Fire Rating	UL 10C fire rated
Durability	ANSI/BHMA Grade 1 Certified (A156.25, A156.2, A156.13, A156.3)
Environmental	Indoor/Outdoor approved; -31 °F (-35 °C) to 151 °F (66 °C); Windstorm approved/certified
Warranty	
Warranty	3-year warranty from date of installation; built-in warranty counter in lock memory

Cylindrical

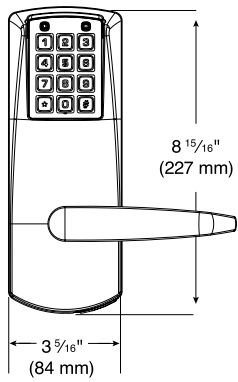


P2000 Exterior

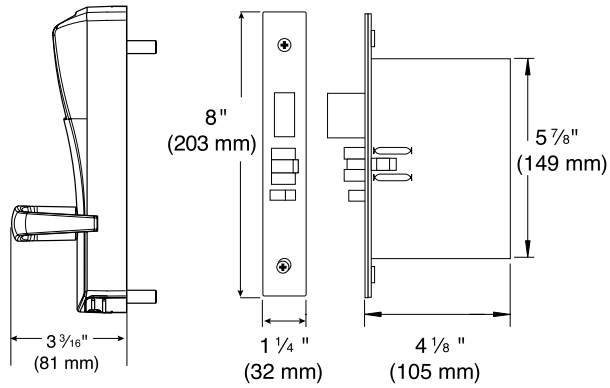


Interior

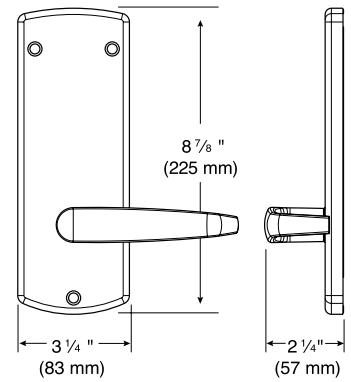
Mortise



P2000 Exterior

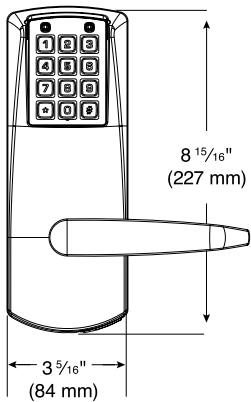


P2000 Mortise

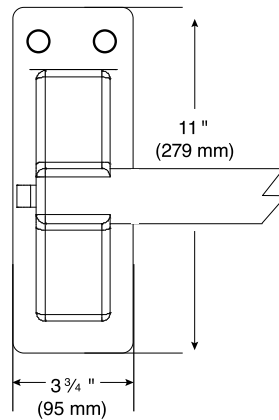
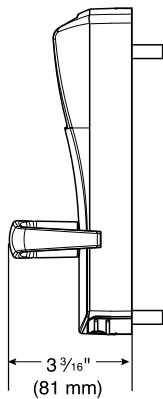


Interior

Exit Trim



P2000 Exterior



Interior
(Exit device not included)

Any questions? We would be happy to advise you.

Contact us at: 1-888 539-7226